



# DC HOLDING MAGNETS

## MODEL 25600

Door holding  
Transfer or binding of metal pieces  
Duty cycle 100% ED

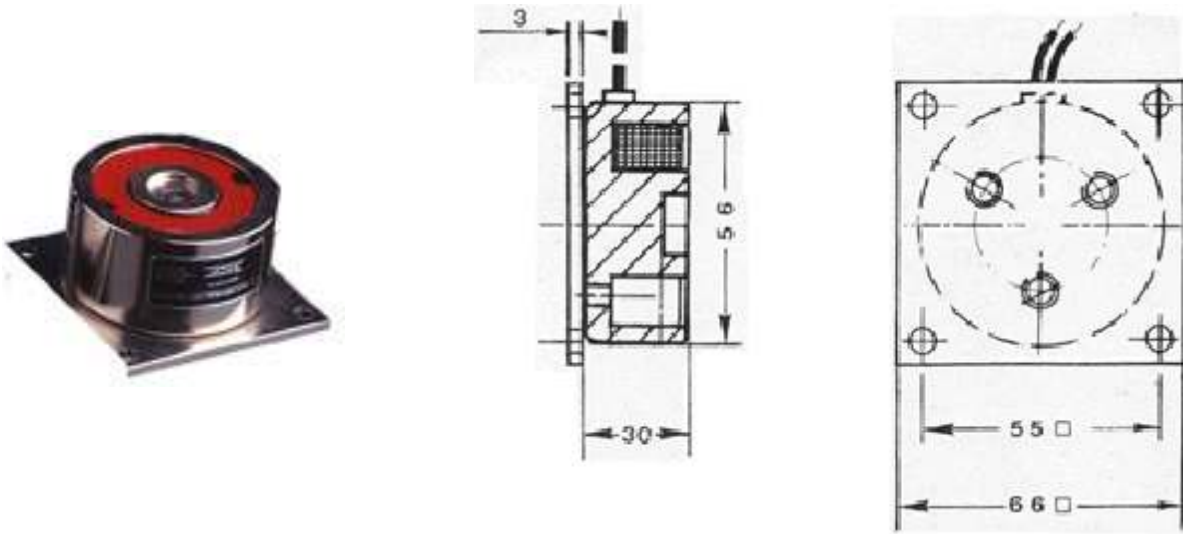
## MODEL 200

Door holding  
Transfer or binding of metal pieces  
Duty cycle 100% ED



## DC HOLDING MANGENTS

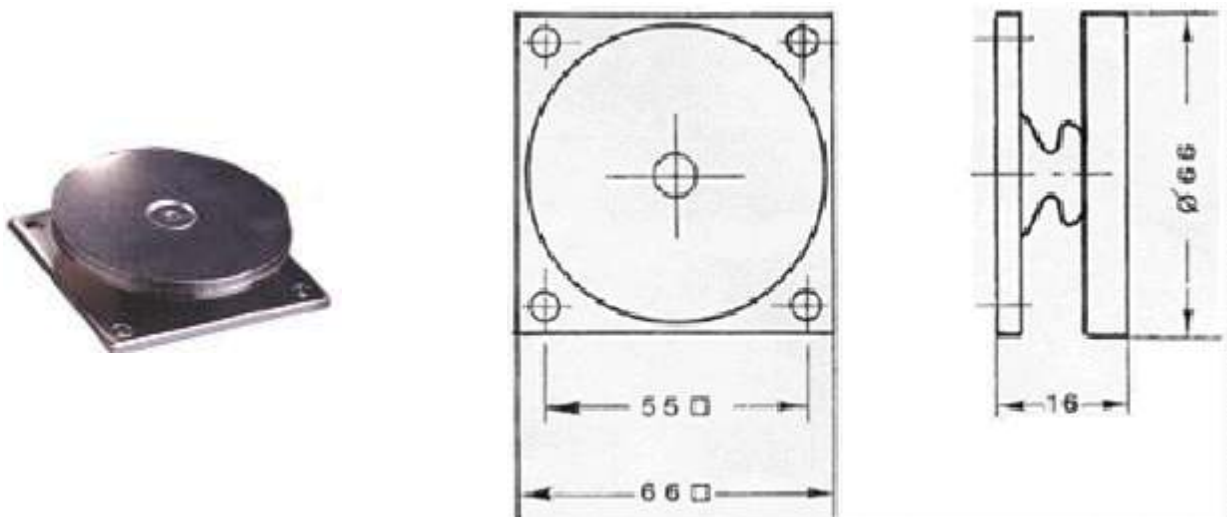
Measurement table model 25600



Door holding electromagnets. Duty cycle 100 % ED. Operating voltage 24V DC

CODE	Kg	NOMINAL RATING W
25600	40	1.5
25620	60	6

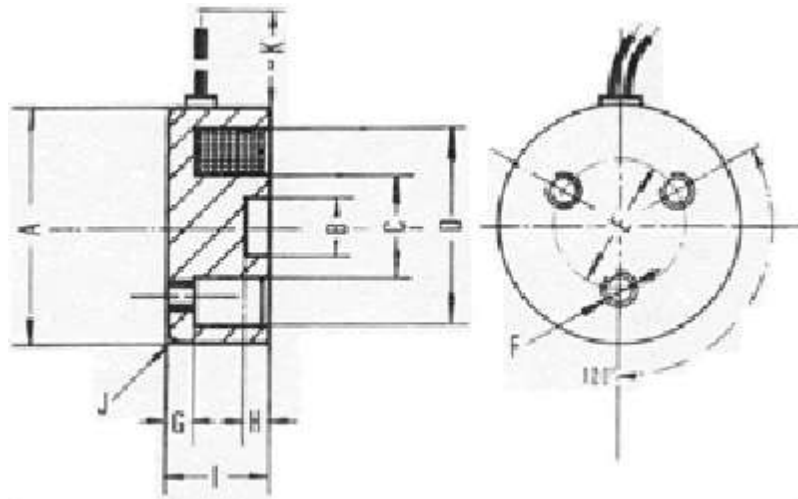
25611	DISC FOR COUPLING
-------	-------------------



(Measures expressed in mm)

## DC HOLDING MAGNETS

### Measurement table model 200



TYPE	A	C	D	E	F	G	I	J	K
236	36	10	29	28	M-4	4	26	2	140
246	46	16	36	34	M-5	5	30	2	140
256	56	24	45	40	M-5	5	30	2	140
266	66	24	54	40	M-5	5	33	2	140
296	96	48	82	60	M-6	5	35	2	140

TYPE	HOLDING FORCE	NOMINAL RATING	TOTAL WEIGHT
	Kg	W	Kg
236	8	4	0.155
246	16	6	0.295
256	31	8	0.450
266	48	10	0.670
296	120	20	1.575

24 DC normal volatge  
 Other voltage can be supplied on request  
 Duty cicle 100 % ED

(Measures expressed in mm)