



# SHOTBOLT LOCKS

## MODEL 850 / 832

Sliding wedge lock  
Optional manual working  
Duty cycle 15% ED

## MODEL 830

Stroke cylindric  
Optional manual working  
Duty cycle 15% ED

## MODEL 820

Safety bolt  
DC solenoids  
Service free  
Without open or closed electric working

## MODEL 840.40

Bistable  
Safety bolt  
Duty cycle 15% ED



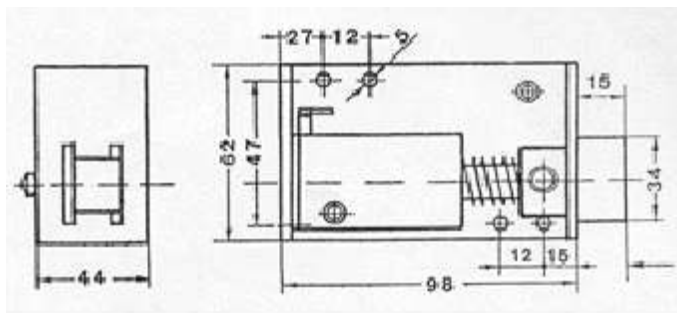
# SHOTBOLT LOCKS

## Measurement table model 850 / 832

Shotbolt locks  
 Operating coil voltage optional  
 Duty cycle 15% ED

CODE	
85000	SLIDING WEDGE BOLT
85010	MANUAL WORKING

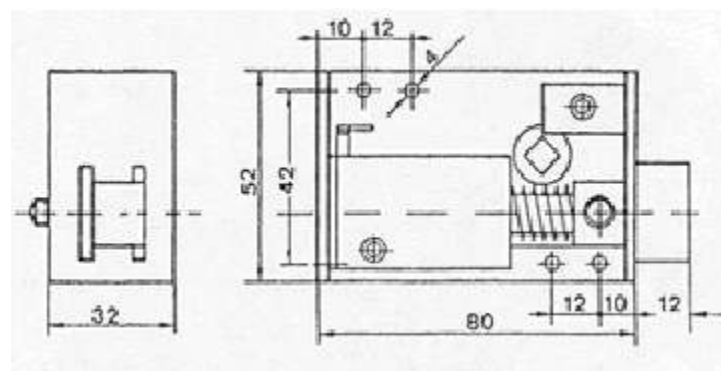
OPTIONAL	INVERSE BOLT POSITION
----------	-----------------------



Shotbolt locks  
 Operating coil voltage optional  
 Duty cycle 15% ED

CODE	
83200	SLIDING WEDGE BOLT
83210	MANUAL WORKING

OPTIONAL	INVERSE BOLT POSITION
----------	-----------------------



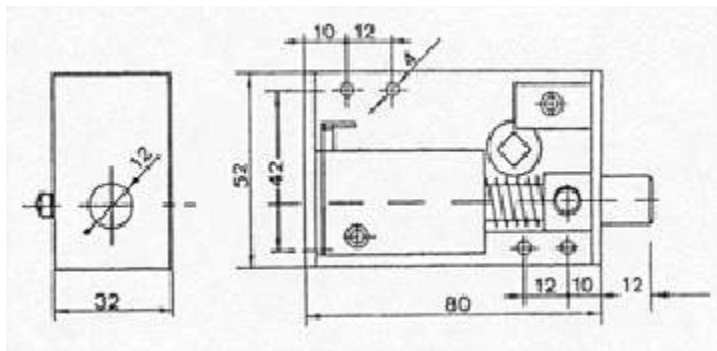
(Measures expressed in mm)

# SHOTBOLT LOCKS DC

## Measurement table model 830

Shotbolt locks operating coil voltage 12V or 24V DC.  
Stroke cylindric.  
Locking when switch off

CODE	
83000	DUTY CYCLE <b>15% ED.</b>
83010	OPTIONAL MANUAL WORKING



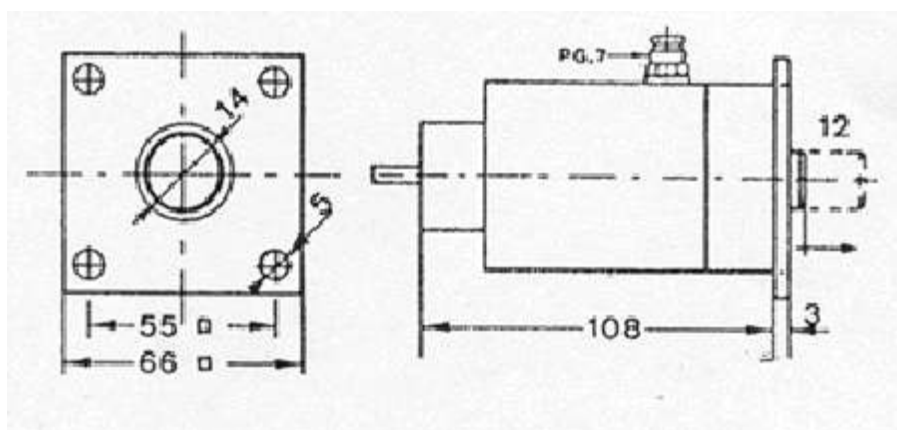
(Measures expressed in mm)

# SHOTBOLT LOCKS DC

## Measurement table model 8200

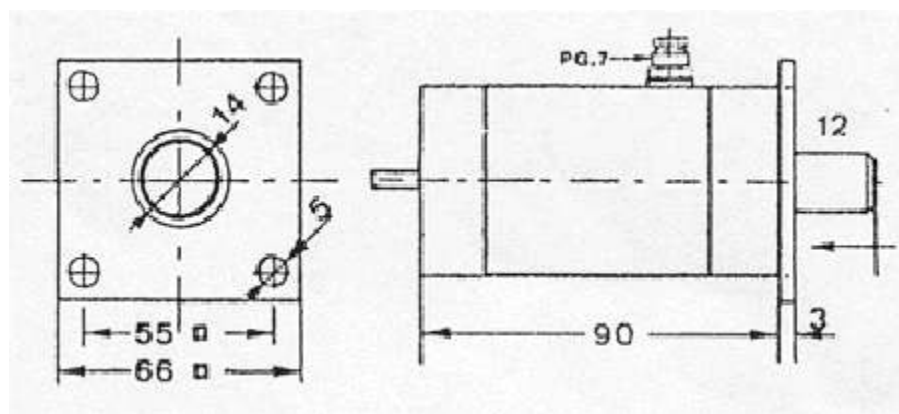
Shotbolt locks DC  
 Stroke cylindric  
 Operating coil voltage and duty cycle (ED) optional

CODE	SWITCH OFF
82000	OPEN
<b>VOLTAGE AND DUTY CYCLE OPTIONAL</b>	



Shotbolt locks DC. Stroke cylindric.  
 Operating coil voltage and duty cycle (ED) optional

CODE	SWITCH OFF
82020	CLOSED
<b>VOLTAGE AND DUTY CYCLE OPTIONAL</b>	

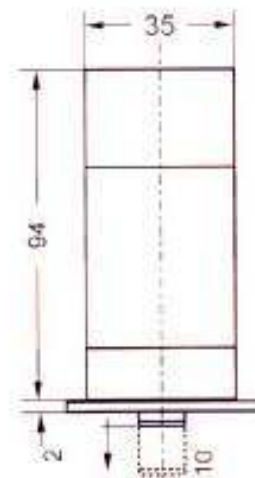
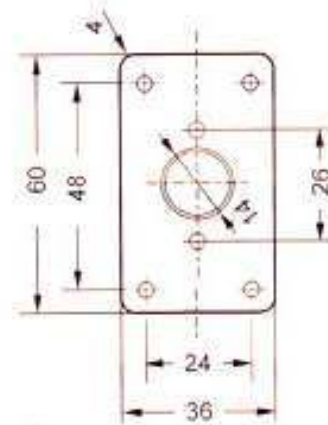


(Measures expressed in mm)

# SHOTBOLT LOCKS DC

Measurement table model 840.40 (Bistable)

STROKE	10 mm
POWER	45 W
STARTING FORCE	0,350 Kg
HOLDING FORCE	1.100 Kg
DUTY CYCLE	15 % CD
SUPPLY VOLTAGE	12 o 24 V=
TOTAL WEIGHT	0,450 Kg



(Measures expressed in mm)